



**Open Source Routing Experiences**  
**at**

**Uppsala University**

Robert Olsson  
Hans Wassen  
Emil Pedersen

Uppsala Universitet

2008-04-16

# Agenda

## Open Source Routers (OSR)

Robert Olsson &  
Hans Wassen &  
Emil Pedersen      OSR experiences at Uppsala University (40)

Tom Johans      OSR experiences at SLU      (15)

### **Coffee break**

Dag Berge      OSR project at KTH,      (15)

Olof Hagsand/Bengt Görden.  
IIS 10g bifrost router project      (25)

Björn Pehrson      Possible use of OSR      (15)

Discussion

# 10 years in production

- Three major installations
- UU core routers towards SUNET
- UU Student Network 30.000 students
- <ftp.sunet.se>

# Testing, Verification Development & Research

- Started out as simple testing.
- Curiosity, Open Source, Collaboration
- Relatively freedom, the idea to use in own infrastructure. No need for external funding.
- OS was intended for desktops.

# Testing, Verification Development & Research

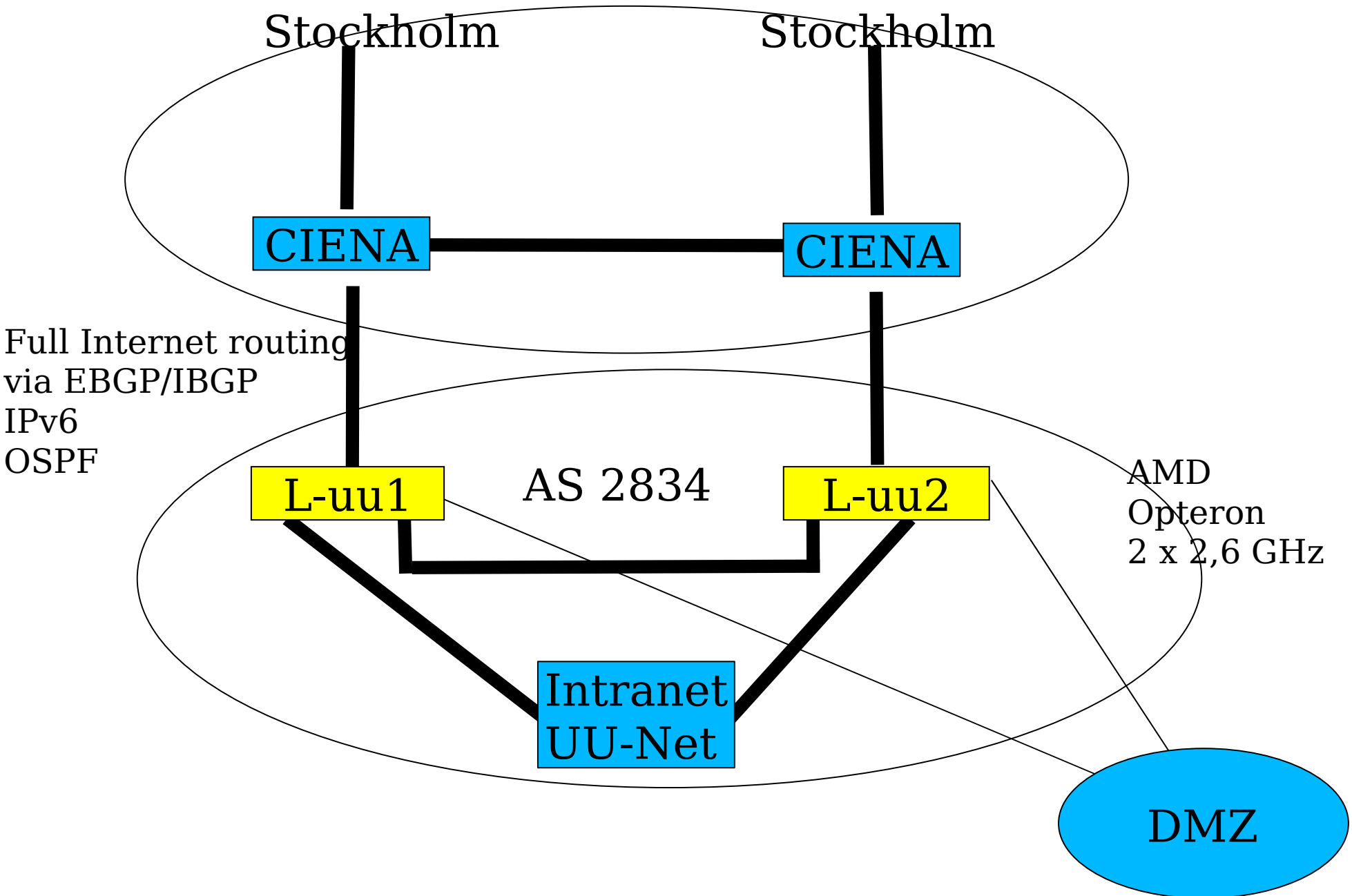
No need for test network. We could test in own infrastructure. (Or SLU)

Problem oriented vs Project oriented

We could work on complicated issues

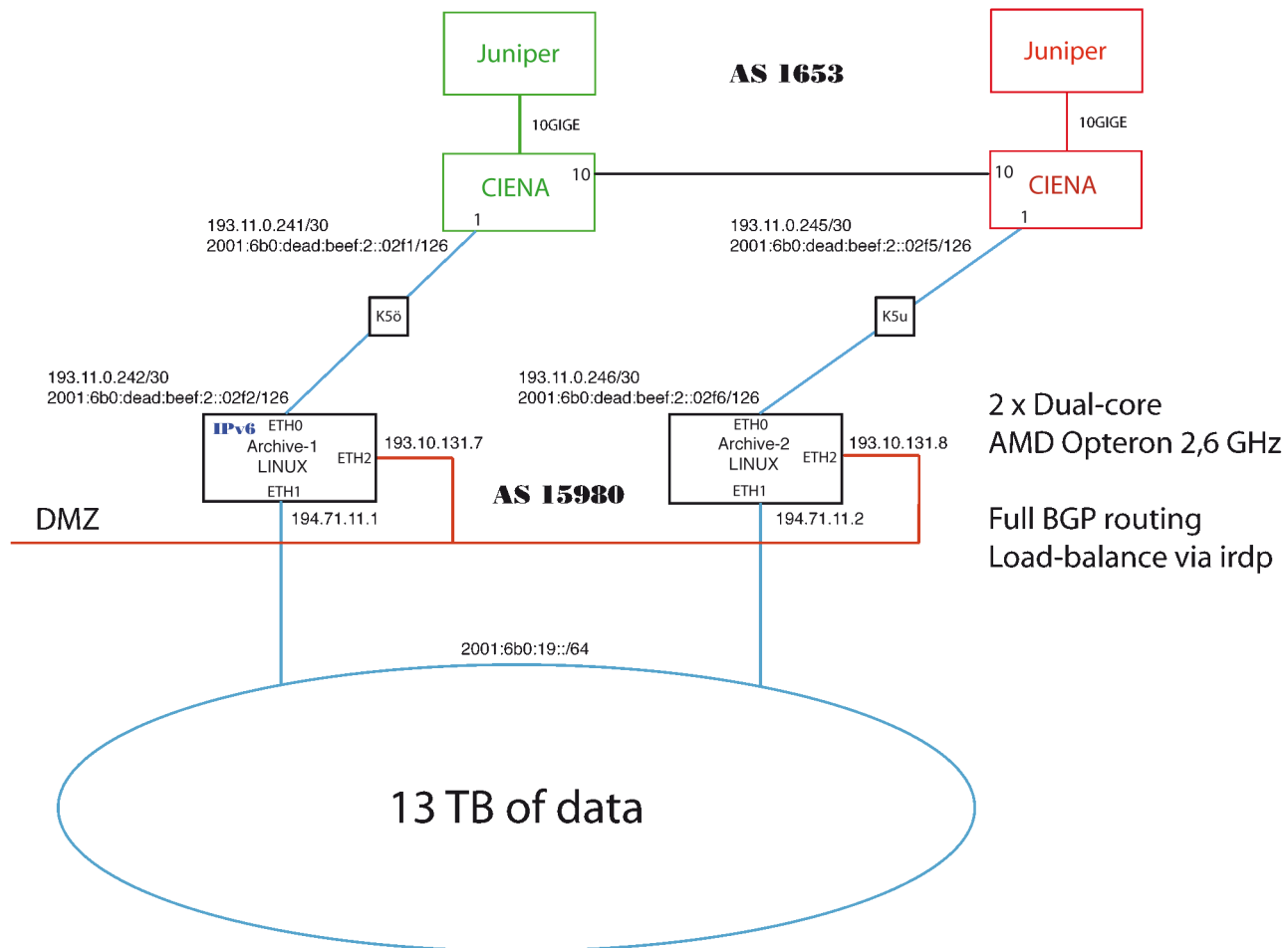
- NAPI 3years
- pktgen 2years
- fib\_trie 1year
- TRASH 1year

# BIFROST in use: *uu.se*



# FTP

## The SUNET FTP-Archive



# Hardware

Bifrost components 2008-01-03

=====

This represents equipment which have "passed" our tests at some point of time.

NOTE. This implies no guarantee whatsoever.

Hi-End Opteron system:

TYAN Thunder n5550W (S2915-E)	1 *
256 MB Reg ECC PC3200 (400 MHz)	4 *
Opteron dual core 2222 processor	2 *
4U Chassi	1 *
USB memory stick	1 *

Option:

Redundant power supply

EMACS MRG-6500P Redundant PSU 2x500W

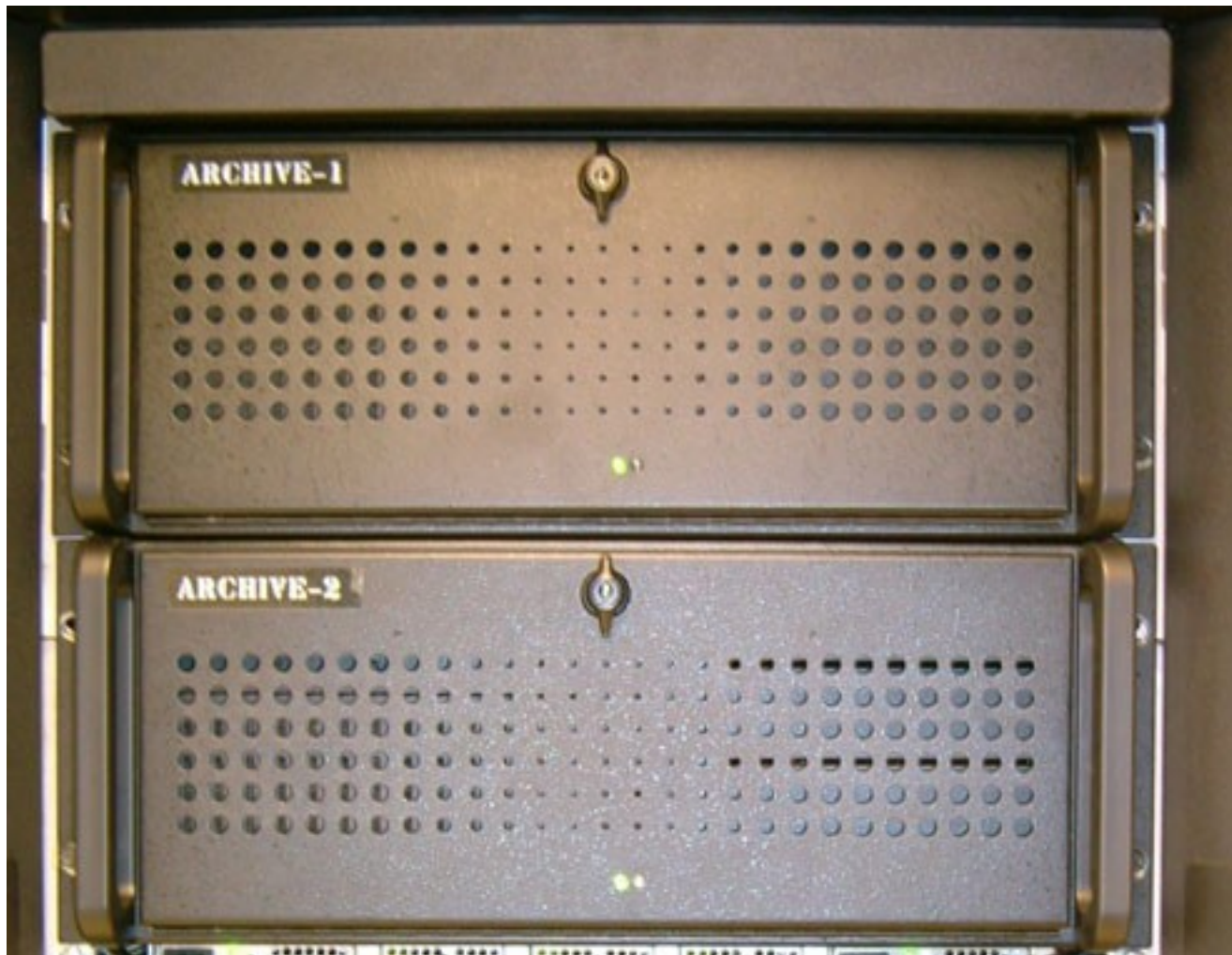
Intel Corporation 82571EB GIGE based Network cards



# L-uu1

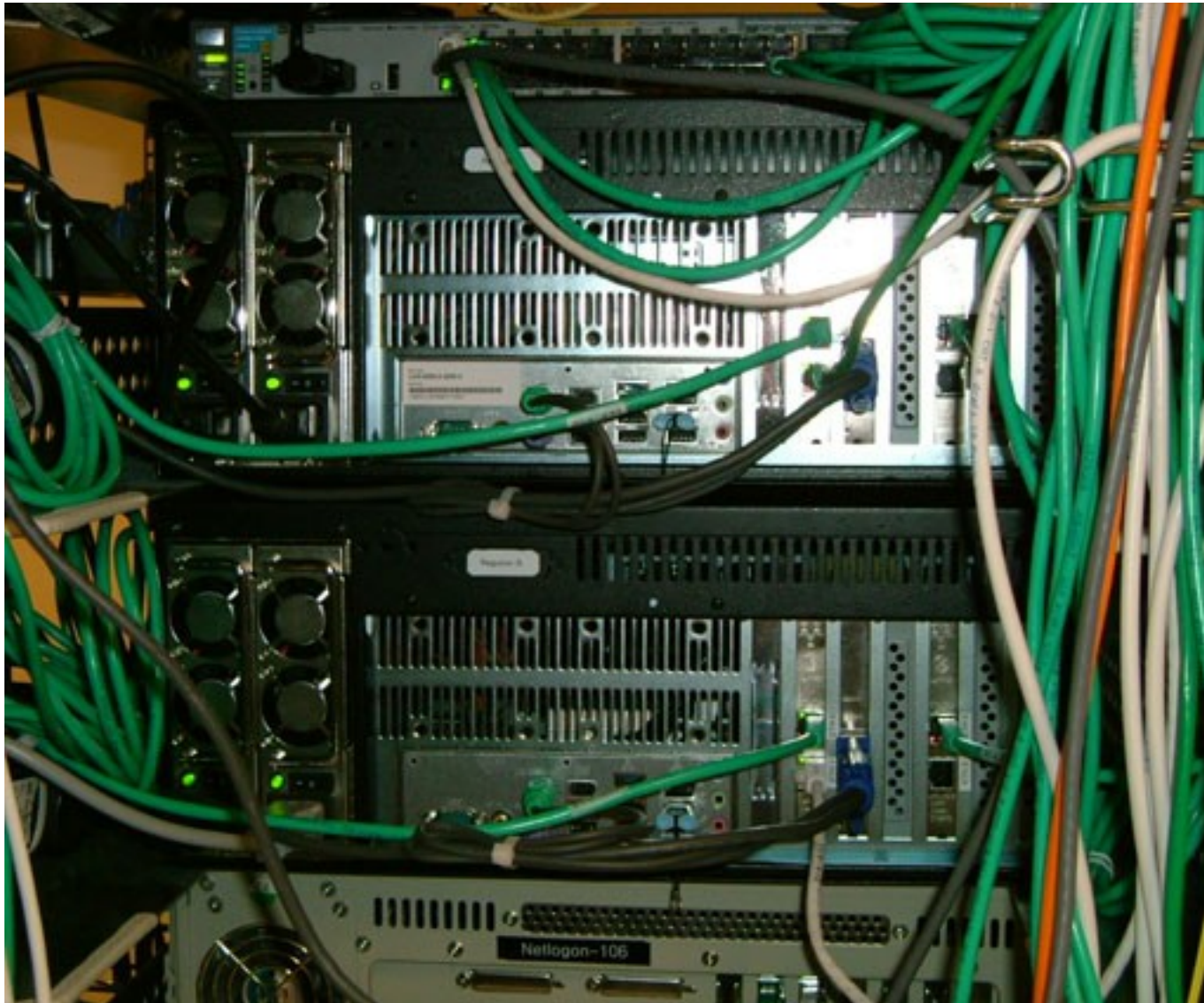


# FTP





# UpUnet-S



# Lab





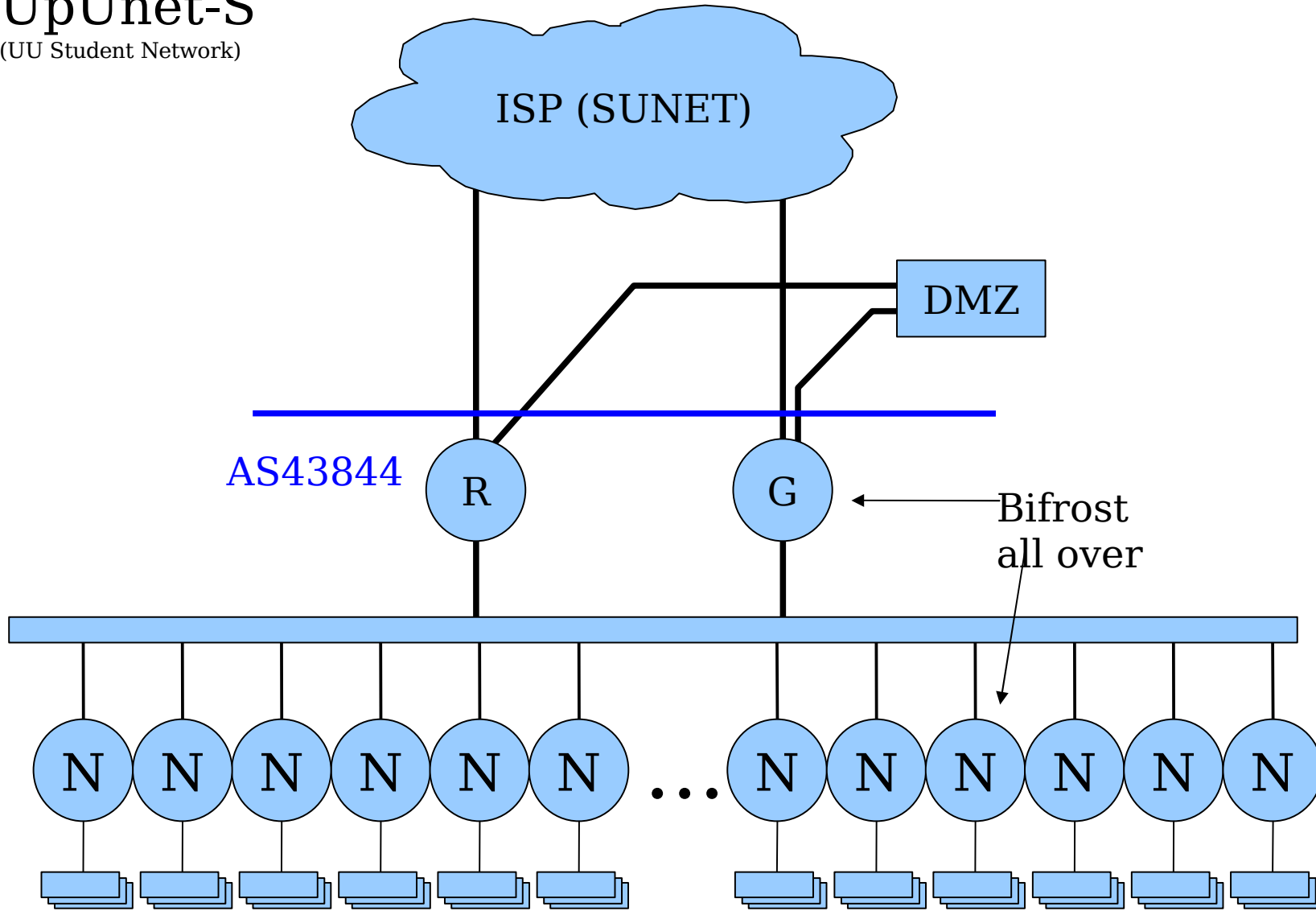
# Prominent visit 1999

## Alexey Kuznetsov



# UpUnet-S

(UU Student Network)



A new network symbol has been seen...

*The Penguin Has Landed*

